

**ADDENDUM
NO. 2**

to Plans, Specifications and Contract Documents for

**MONTGOMERY COUNTY AIRPORT (43A)
“PERIMETER FENCE PROJECT”**

Montgomery County, NC
State Project No.: 36237.2.12.1



TO: ALL PROSPECTIVE BIDDERS

DATE: 12/06/2018

NOTICE TO BIDDERS

Bidders and other interested parties are informed that the above referenced plans, specifications, and contract documents are hereby revised, changed, and supplemented as set forth below. Bidders must acknowledge receipt of this addendum in the Proposal.

CONTRACTS AND SPECIFICATIONS

NONE

PLANS

1) Addendum No. 2 modifies Sheet C-07: **REMOVE AND REPLACE with Sheet C-07 per Addendum No. 2.**

QUESTIONS AND ANSWERS

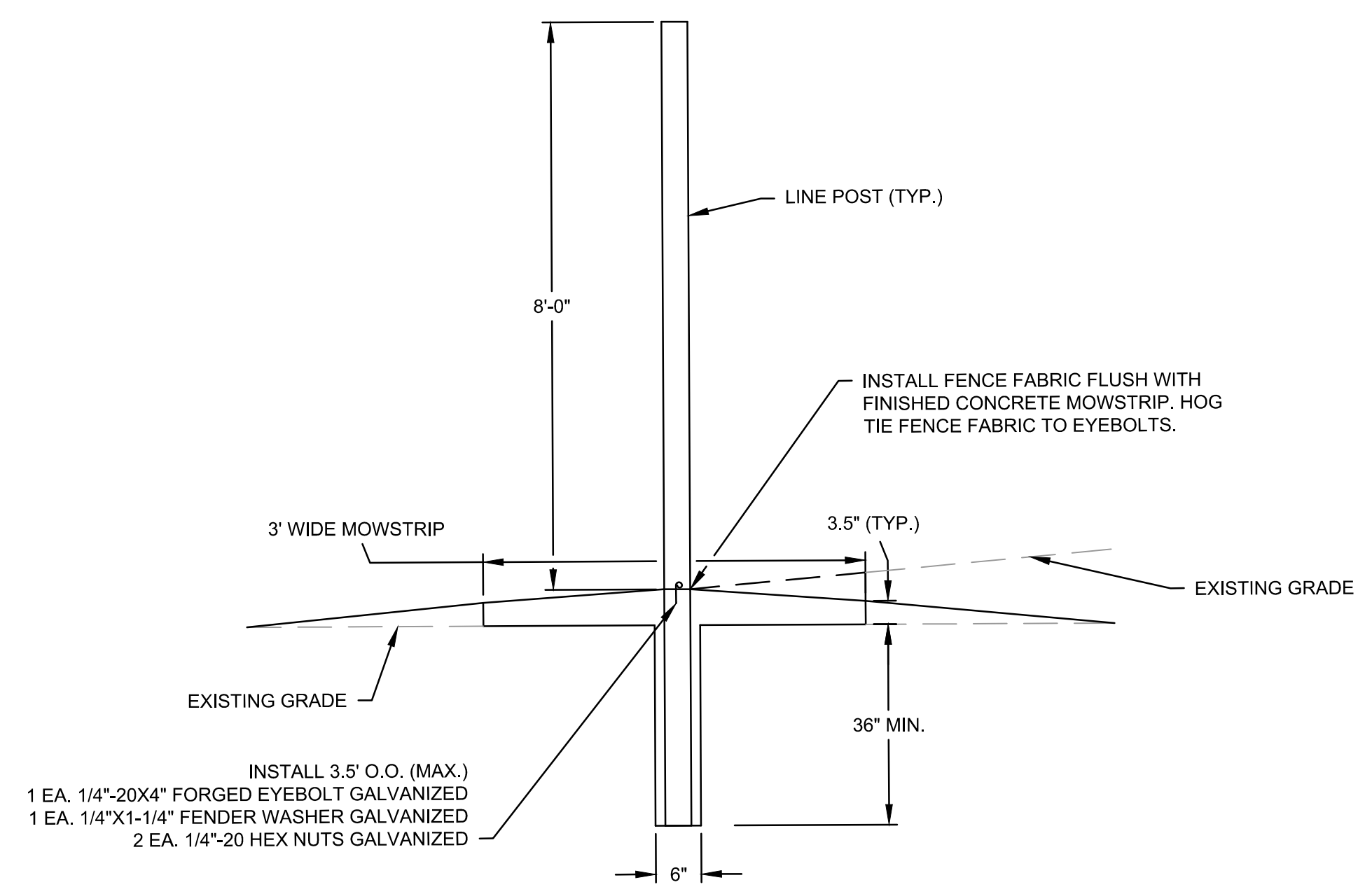
1. Question: Federal specification calls for 3" terminal posts and 2 ½" line posts for fence fabric at 8' tall. Can you verify the required sizes?

Answer: **See revised Sheet C-07 per Addendum No. 2.**

This **ADDENDUM NO. 2** forms a part of the Contract Documents and modifies the original plan drawings and specifications dated November 2018 as noted and included herein. Acknowledge receipt of this ADDENDUM in the space provided on the Bid Form. Failure to do so may subject the Bidder to disqualification.

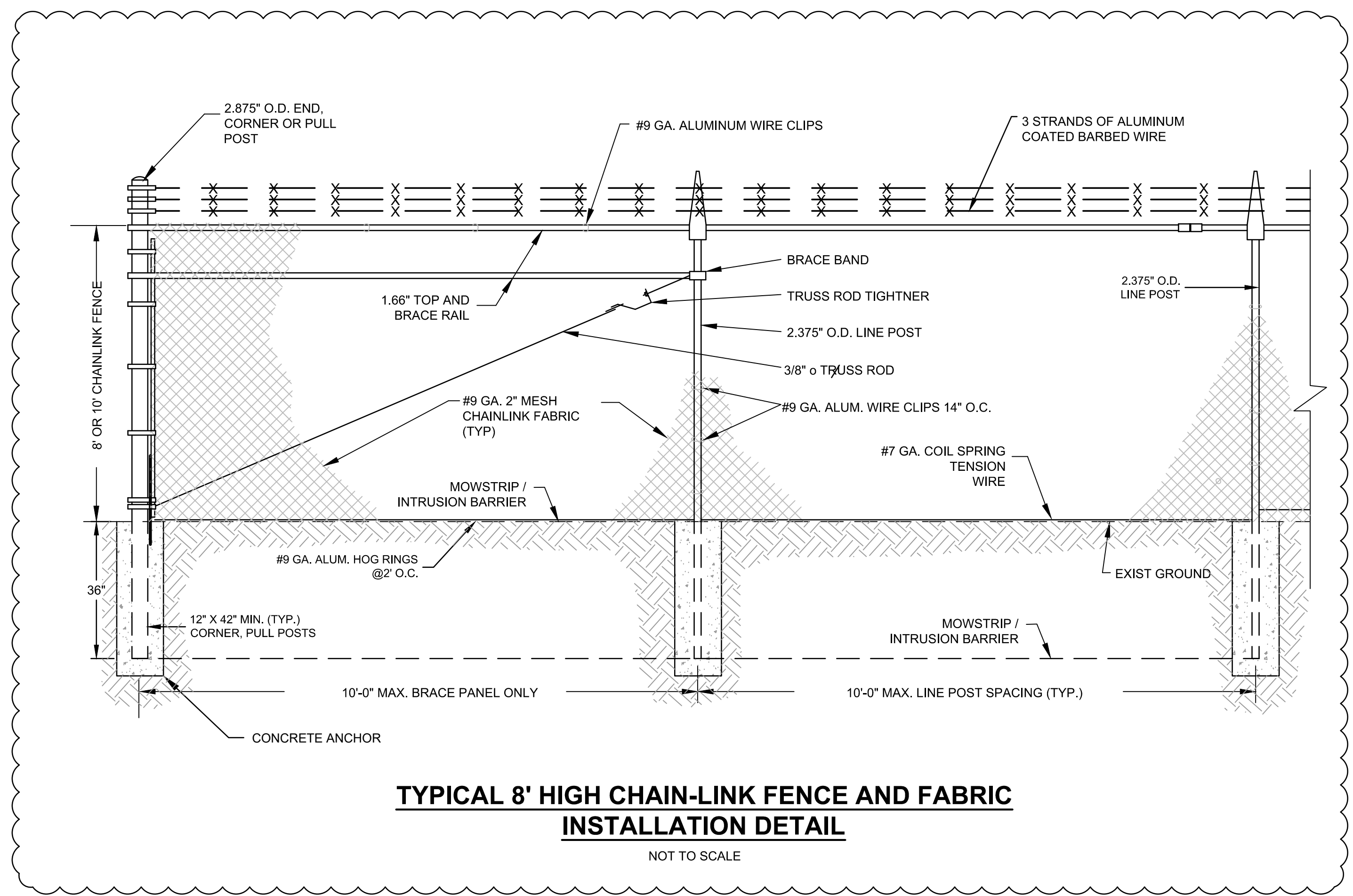
END OF ADDENDUM NO. 2

P:\2018\2018.267.01 - MCA - PERIMETER FENCING\04 2018.267.01 ENGINEERING\CAD\2018.267.01_FENCING DETAILS -ADD2.DWG 12/5/2018



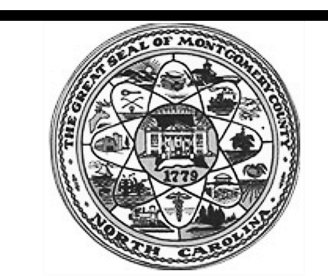
MOWSTRIP/INTRUSION BARRIER DETAIL
NOT TO SCALE

- NOTES**
1. GRADING AROUND MOWSTRIP MAY BE ADJUSTED AS REQUIRED TO NOT INTERRUPT EXISTING DRAINAGE PATTERNS.
 2. TRENCH SIZE AND WIDTH TO BE DETERMINED BY THE CONTRACTOR.



TYPICAL 8' HIGH CHAIN-LINK FENCE AND FABRIC INSTALLATION DETAIL
NOT TO SCALE

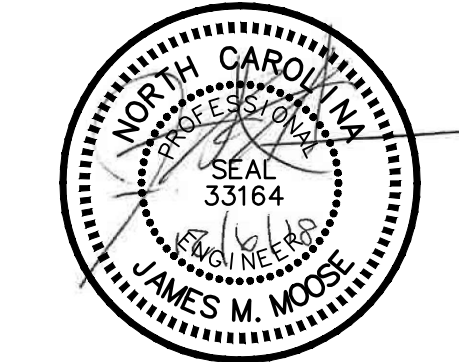
1



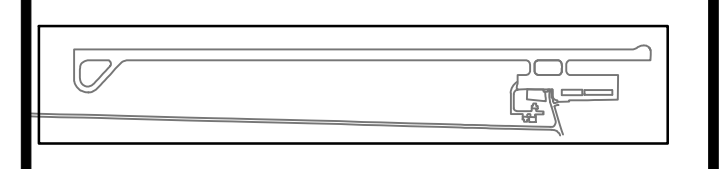
AVCON

AVCON, INC.
ENGINEERS & PLANNERS
13801 REESE BLVD., SUITE 160
HUNTERVILLE, N.C. 28078
OFFICE: (704) 954-9008
www.avconinc.com

**ISSUED FOR BID
NOT RELEASED FOR
CONSTRUCTION**



**MONTGOMERY
COUNTY AIRPORT
STAR, NORTH CAROLINA**



KEY PLAN

**PERIMETER FENCING
PROJECT**

**FENCING DETAILS
(SHEET 2 OF 2)**

ATTENTION:
THIS DOCUMENT CONTAINS PRIVILEGED AND PROPRIETARY INFORMATION, ALL OF WHICH IS EXPRESSLY PROVIDED BY AVCON, INC. FOR USE BY THE INTENDED RECIPIENT, AND FOR A SPECIFIC PURPOSE. WITHOUT THE EXPRESS WRITTEN CONSENT OF AVCON, INC. ANY DISTRIBUTION, REPRODUCTION, OR OTHER USE OF THIS DOCUMENT, IN WHOLE OR IN PART, IS STRICTLY PROHIBITED.

SCALE: AS NOTED

REVISIONS:			
NO.	DATE	BY	DESCRIPTION
1	12/06/2018	ZF	ADDENDUM NO. 2

DESIGNED BY: Z.F.
DRAWN BY: Z.F.
CHECKED BY: G.M.W.
APPROVED BY: J.M.M.
DATE: DECEMBER 2018

STATE LICENSE # N.C. C-2450
PROJECT NO. 2018.267.01

**SHEET NUMBER
C-07**